

## LITHIUM IRON PHOSPHATE BATTERY

### ELECTRICAL SPECIFICATIONS

|                           |               |
|---------------------------|---------------|
| Nominal Voltage           | 12.8 V        |
| Nominal Capacity          | 300 Ah        |
| Capacity @ 25A            | 720 min       |
| Energy                    | 3840 Wh       |
| Resistance                | 30 mΩ         |
| Efficiency                | 99%           |
| Self Discharge            | <3% per Month |
| Maximum Modules in Series | 1             |

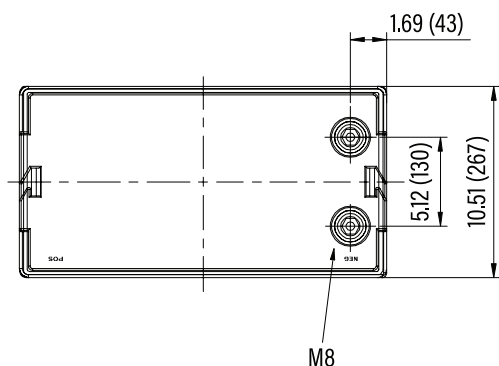
### DISCHARGE SPECIFICATIONS

|                                      |                 |
|--------------------------------------|-----------------|
| Maximum Continuous Discharge Current | 100 A           |
| Peak Discharge Current               | 800 A (2.0 s)   |
| PCM Discharge Current Cut-Off        | 1000 A (±100 A) |
| Recommended Low Voltage Disconnect   | 11 V            |
| PCM Discharge Voltage Cut-Off        | 9.2 V           |
| Reconnect Voltage                    | 10 V            |
| Short Circuit Protection             | 200-600 μs      |

### TEMPERATURE SPECIFICATIONS

|                              |                             |
|------------------------------|-----------------------------|
| Discharge Temperature        | -4 to 140 °F (-20 to 60 °C) |
| Charge Temperature           | 32 to 131 °F (0 to 55 °C)   |
| Storage Temperature          | -4 to 140 °F (-20 to 60 °C) |
| PCM High Temperature Cut-Off | 176 °F (80 °C)              |

### DIMENSIONAL SPECIFICATIONS



### MECHANICAL SPECIFICATIONS

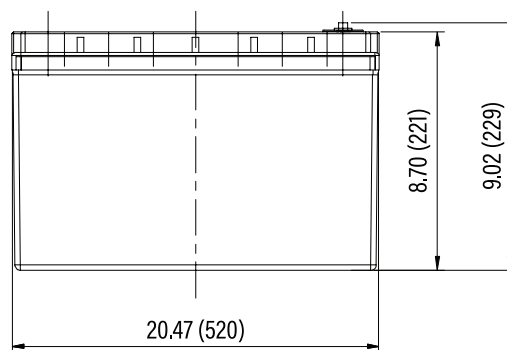
|                        |                                   |
|------------------------|-----------------------------------|
| Dimensions (L x W x H) | 20.5 x 10.5 x 9.0"                |
|                        | 520 x 267 x 229 mm                |
| Weight                 | 83 lbs (37.5 kg)                  |
| Terminal Type          | M8                                |
| Terminal Torque        | 80 - 100 in-lbs (9 - 11 N-m)      |
| Case Material          | ABS                               |
| Enclosure Protection   | IP56                              |
| Cell Type - Chemistry  | Cylindrical - LiFePO <sub>4</sub> |

### CHARGE SPECIFICATIONS

|                            |                 |
|----------------------------|-----------------|
| Recommended Charge Current | 50 A            |
| Maximum Charge Current     | 100 A           |
| PCM Charge Current Cut-Off | 1000 A (±100 A) |
| Recommended Charge Voltage | 14.2 V - 14.6 V |
| PCM Charge Voltage Cut-Off | 15.4 V          |
| Reconnect Voltage          | 14.6 V          |
| Balancing Voltage          | 14.4 V          |

### COMPLIANCE SPECIFICATIONS

|                         |   |
|-------------------------|---|
| Certifications          | CE (battery)<br>UN38.3 (battery)<br>UL1642 & IEC62133 (cells) |
| Shipping Classification | UN 3480, CLASS 9  |



### PERFORMANCE CHARACTERISTICS

