

Exclusive

5 YEAR
Warranty

Bergey
Tornado-Tuff
 Turbines are
 Designed, Built, and Proven
 in America's Tornado Alley

BERGEY DIRECT
 www.bergey.com

BWC XL.1

1 kW CLASS

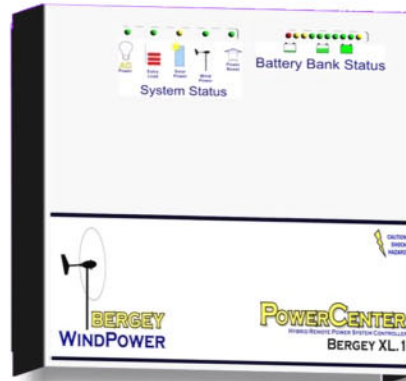
WIND TURBINE

- 5 - YEAR WARRANTY
- MAINTENANCE FREE DESIGN
- NEARLY SILENT OPERATION
- EXCELLENT LOW WIND PERFORMANCE
- AUTO FURL AUTOMATIC STORM PROTECTION
- STATE-OF-THE-ART AIRFOIL (PAT. PENDING)
- DIRECT-DRIVE NEODYMIUM PM ALTERNATOR
- POWERCENTER MULTI-FUNCTION CONTROLLER
- BATTERY-FRIENDLY OPTICHAARGE REGULATION
- OPTIONAL INTEGRATED 500 W SINE INVERTER
- COMPLETE TUBULAR TILT-UP TOWERS AVAILABLE
- COMPLETE "PLUG AND PLAY" SYSTEMS AVAILABLE

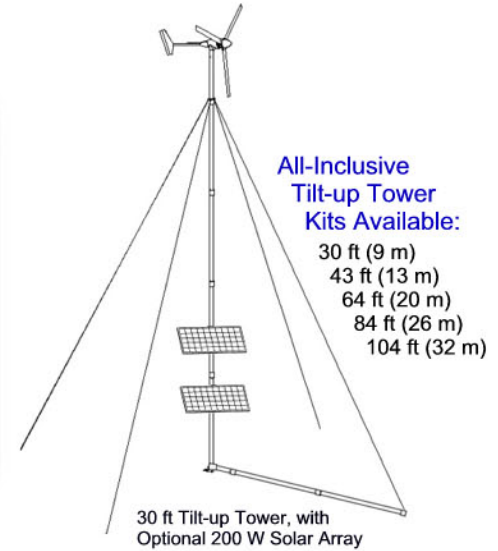
24 Volt DC Battery Charging
 120 Volt, 60 Hz AC (Optional)
 230 Volt, 50 Hz AC (Optional)
 (off-grid use only)

The Bergey XL.1 is the most technically advanced small wind turbine ever. It comes from the world's leading manufacturer of small wind turbines and is backed by a full 5-year warranty. The XL.1 wind turbine is designed for high reliability, low maintenance, and automatic operation in adverse weather conditions. And the XL.1's "all-in-one" PowerCenter provides complete hybrid system integration, including an optional on-board sine wave inverter. Owner installations are a snap with Tilt-up Tower options from 30 - 104 ft.

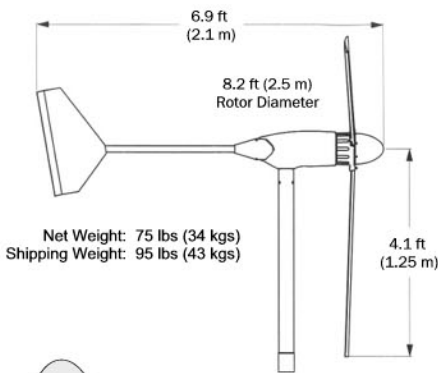
Easy to install, extremely reliable, and a solid value, the Bergey XL.1 is the clear choice for your home energy system.



BWC XL.1 PowerCenter Controller

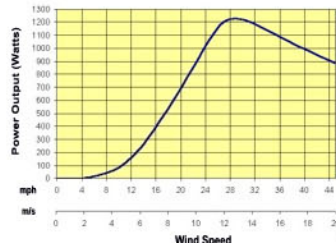


THE ONLY MOVING PARTS ARE THE PARTS YOU SEE MOVING



Performance

Start-up Wind Speed ... 6.7 mph (3 m/s)
 Cut-In Wind Speed ... 5.6 mph (2.5 m/s)
 Rated Power ... 1,000 Watts
 Rated Wind Speed ... 24.6 mph (11 m/s)
 Rated Rotor Speed ... 490 RPM
 Furling Wind Speed ... 29 mph (13 m/s)
 Max. Design Wind Speed ... 120 mph (54 m/s)



Predicted Energy Production

Wind Speeds Taken at Top of Tower

| Annual Average Wind Speed (m/s) | 3.5 | 4 | 4.5 | 5 | 5.5 | 6 | 6.5 |
|---------------------------------|----------|-----|-------|-------|-------|-------|-------|
| Annual Average Wind Speed (mph) | 7.8 | 8.9 | 10.1 | 11.2 | 12.3 | 13.4 | 14.5 |
| Production in kWh (24 VDC) | Daily | 1.9 | 2.8 | 3.9 | 5.1 | 6.4 | 7.7 |
| | Monthly | 55 | 85 | 115 | 155 | 195 | 235 |
| | Annually | 680 | 1,010 | 1,410 | 1,850 | 2,320 | 2,790 |

Wind Speeds Taken at 10 meters (per standard wind resource maps)

| US-DOE Wind Power Class | | 1 | 2 | 3 | 4 | 5 | 6 | 7 |
|---------------------------------|--------------------|---------|--------|--------|--------|--------|--------|--------|
| Annual Average Wind Speed (mph) | | ~ 8.9 | ~ 10.7 | ~ 12.1 | ~ 13.0 | ~ 13.9 | ~ 15.0 | ~ 16.8 |
| Annual Average Wind Speed (m/s) | | ~ 4.0 | ~ 4.8 | ~ 5.4 | ~ 5.8 | ~ 6.2 | ~ 6.7 | ~ 8.4 |
| Production in kWh (24 VDC) | 30 ft (9m) Tower | Daily | 2.6 | 4.3 | 5.8 | 6.8 | 7.8 | 9.1 |
| | | Monthly | 80 | 130 | 175 | 205 | 240 | 275 |
| | 64 ft (20m) Tower | Daily | 4.1 | 6.4 | 8.2 | 9.3 | 10.4 | 11.7 |
| | | Monthly | 125 | 195 | 250 | 285 | 320 | 355 |
| | 104 ft (32m) Tower | Daily | 5.2 | 7.8 | 9.7 | 10.9 | 12.0 | 13.1 |
| | | Monthly | 160 | 235 | 295 | 330 | 365 | 400 |

Assumptions: Inland site, Rayleigh Wind Distribution, Shear Exponent = 0.20, Altitude = 1000R (300m).
 Note: Battery charge regulation (batteries full) and wire run losses will reduce actual XL.1 performance.

Your Performance May Vary.

Dealer:



SIMPLICITY • RELIABILITY • PERFORMANCE

2001 PRIESTLEY AVE.
 NORMAN, OK 73069
 T: 405-364-4212
 F: 405-364-2078
 SALES@BERGEY.COM
 www.bergey.com